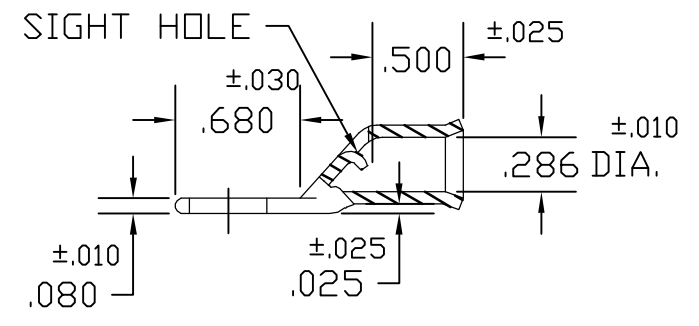
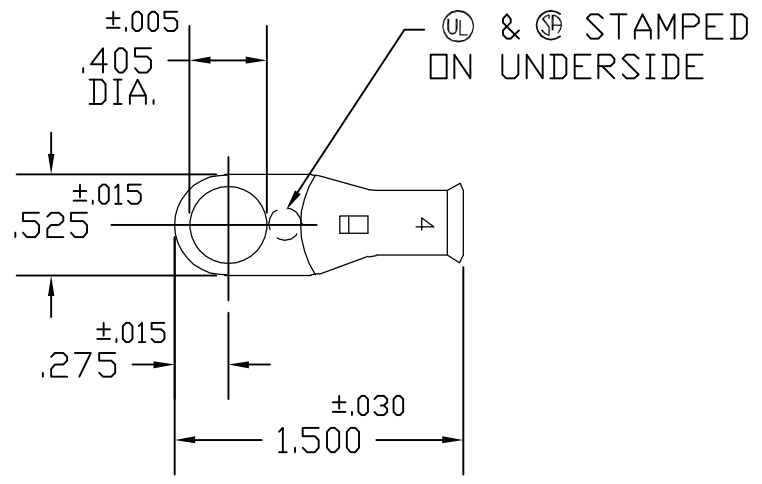


THIS DRAWING IS UNPUBLISHED. RELEASED FOR PUBLICATION  
 © COPYRIGHT - BY TYCO ELECTRONICS CORPORATION. ALL RIGHTS RESERVED.

LOC	DIST	REVISIONS					
		P	LTR	DESCRIPTION	DATE	DWN	APVD
G	50		B1	REVISED PER ECR-06-009580	28APR06	HMR	JR



ACTIVE	4381-03	STANDARD	TIN PLATE	1526243-2
ACTICE	4381-02	STANDARD	PLAIN	1526243-1
STATUS	AET P/N	PACKAGING	FINISH	PART NUMBER

THIS DRAWING IS A CONTROLLED DOCUMENT.		DWN D.A.A.	10/18/00	 Tyco Electronics Corporation Harrisburg, PA 17105-3608
DIMENSIONS: INCHES		CHK H.D.F.	10/18/00	
		APVD H.D.F.	10/18/00	
TOLERANCES UNLESS OTHERWISE SPECIFIED:		PRODUCT SPEC		NAME 4 STANDARD TERMINAL W/SIGHT HOLE
0 PLC ± - 1 PLC ± - 2 PLC ± - 3 PLC ± - 4 PLC ± - ANGLES ± -		APPLICATION SPEC		
MATERIAL COPPER ASTM B-152		FINISH -		RESTRICTED TO -
		WEIGHT -	SIZE A3	CAGE CODE 00779
		DRAWING NO C-1526243		
		CUSTOMER DRAWING		SCALE 1:1
				SHEET 1 OF 1
				REV B1